

Customer and Supplier Information

September 2022

The #KSD by KRAFFT Walzen – The Lightest – The Stiffest – The Most Sustainable

Dear Business Partner,

We are all faced with enormous demands to save energy and energy costs. The paper industry has to face special challenges.

We cannot solve the problem for you, however we can make a contribution and would like to show you below where you have potential energy savings and that, with the maximum possible paper web width.

There is probably no longer any need to discuss the advantages of steel drying cylinders. We at KRAFFT have been pursuing a design that is unique on the market for decades:

The #KSD – KRAFFT Steel Dryer by KRAFFT Walzen

Weight

This dryer is lighter due to the inserted and ribbed headplate design, therefore:

- The dryer cans warm up faster
- The downtimes are reduced and as a result the availability of the machine increases
- The drive power is reduced

Stiffness

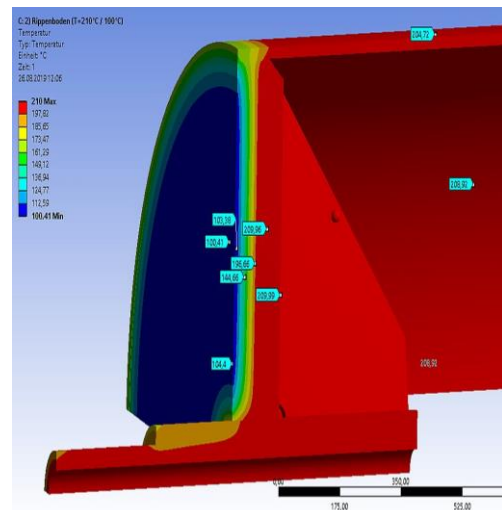
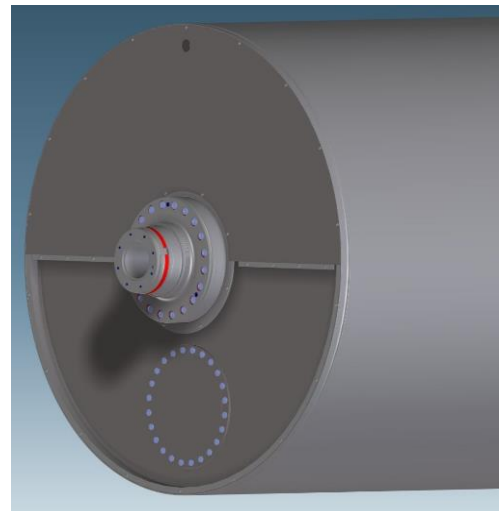
The #KSD design is stiffer. This makes the run smoother and reduces the bearing load.

Energy saving

By default, the #KSD is equipped with an #ESD – **Energy&Safety Device** (half cut in the picture above).

The design was originally intended to meet machine guidelines, but has been further developed for a number of years to reduce radiation losses at the cylinder head sides.

Without this cover, this loss via the heads can be estimated at **several 10 kg of steam per hour and cylinder**, depending on the product and the speed. This number is very easy to quantify. And that's expensive high-pressure steam.



With the #ESD we reduce these losses on the cylinder faces significantly. The energy of the high-pressure steam remains in the cylinder. You usually have enough warm air in the hood. We would like to invite you to a:

Online determination of energy savings with #KSD and #ESD

Just make an appointment and we will guide you through our tool.

If a conversion with the replacement of drying cylinders is planned, **the #KSD pays for itself** and pays for itself in a short time.

And then comes the “perpetuity”, the savings over the next few years!

KRAFFT produces in Germany with stable supply chains from Europe, Corona restricted us all, but we are and were always able to work and deliver! And yes, sometimes with some delay.

Maybe you think, we are very direct and offensive today. Yes! That's what we want to be, that's what we have to be. We want to keep safe and good jobs with us and we want to have a strong (paper) industry in Europe. Perhaps the motto of the paper makers: **"Mit Gunst von wegen's Handwerk"** is more relevant than ever.

Retrofit

For those who don't buy a new cylinder, there is also the news that we also offer the #ESD as a retrofit solution.

And one more tip: If you don't have your heat protection coverings, of any type installed, and they are in the vicinity of the machine: please install them ASAP. There is no easier way to save money!

With kind regards from your KRAFFT team in Düren – stay healthy and safe.

About KRAFFT:

KRAFFT is one of Europe's leading manufacturers of and specialists for rotationally-symmetric components. The knowledge gained from building plants for the production of paper and cardboard was consequently aligned to new products and product segments:

- KRAFFT Rollers – KRAFFT Walzen** is the company's flagship brand for rollers, cylinders and drums
- KRAFFT Pulleys** pulleys for the conveyance of bulk materials as a drive, tensioning and deflection drum in conveyor belt systems
- KRAFFT Turning Technologies** turning parts and large turning parts are used in plant construction and engineering, shafts and mandrels
- KRAFFT Engineering** Engineering and projecting, turn-key systems
- KRAFFT Services** service and maintenance, repair, assembly

For more information please contact:
 Carl KRAFFT & Söhne GmbH & Co. KG
 Peter Kayser, MD Technical Department and Sales
 Schoellerstrasse 164
 52351 Düren, Germany
 E-Mail: Peter.Kayser@krafft-walzen.com

